

# S245

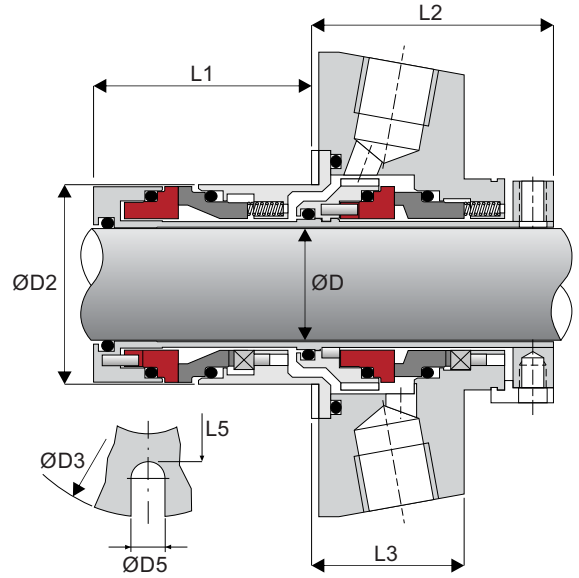
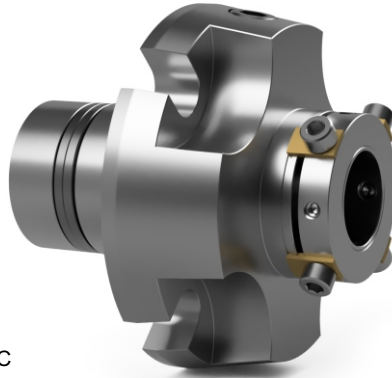


## Working Conditions

Pressure ≤ 28 bar  
 Speed ≤ 25 m/s  
 Temperature ≤ 205°C

## Materials

Stationary - Car / SiC / SSiC / TC  
 Rotary - SiC / SSiC / TC  
 Elastomer - NBR / EPDM / Viton / Aflas / FFKM



Shaft ØD1		ØD2	ØD3	ØD5	L1	L2	L3	L5
Metric	Inches							
0250	0254	44.5	105	12.5	49	54.0	34	62
0280	0286	47.5	105	12.5	49	54.0	34	65
0300	-	49.5	105	12.5	49	54.0	34	67
0320	0317	51.5	108	12.5	49	54.0	34	69
0330		51.5	108	12.5	49	54.0	34	69
0350	0349	54.5	113	12.5	49	54.0	34	72
0380	0381	57.5	123	14.7	49	54.0	34	75
0400	-	59.5	123	14.7	49	54.0	34	77
0420	0412	61.5	133	14.7	49	54.0	34	79
0430	-	62.5	133	14.7	49	54.0	34	80
0450	0444	64.5	138	14.7	49	54.0	34	82
0480	0476	67.5	138	14.7	49	54.0	34	85
0500	0508	69.5	148	14.7	49	54.0	34	87
0530	0539	72.5	148	17.5	49	54.0	34	90
0550	-	74.5	148	17.5	49	54.0	34	92
0580	0571	77.5	157	17.5	49	54.0	34	95
0600	0603	79.5	157	17.5	49	54.0	34	97
0630	0635	82.5	163	17.5	49	54.0	34	100
0650	-	84.5	163	17.5	49	54.0	34	102
0680	0666	87.5	163	17.5	49	54.0	34	105
0700	0698	89.5	178	17.5	49	54.0	34	107
-	0730	110	185	17.5	54	63.5	37	127
0750	0762	112	190	17.5	54	63.5	37	129
0800	0794	117	195	17.5	54	63.5	37	134
-	0825	119	195	17.5	54	63.5	37	136
0850	0857	122	198	21.5	54	63.5	37	139
0900	0889	127	205	21.5	54	63.5	37	144
0920	-	129	205	21.5	54	63.5	37	146
0950	0952	132	208	21.5	54	63.5	37	149
1000	0984	137	218	21.5	54	63.5	37	154
	1016	137	218	21.5	54	63.5	37	154

## Features:

- Stationary Design
- Monolithic Faces
- Cushioned Faces
- Springs outside the gland
- No Slurry on Dynamic o-ring
- Bi-Directional Pumping Device
- Springs outside the media
- Double Pressure Balanced
- Tandem
- Full pressure reversal